



KA40-01



KA40-01



KA40-03



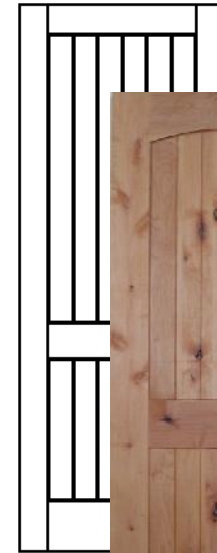
KA40-04

KA40-05



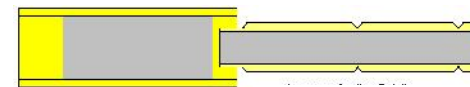
KA40-07

KA40-06

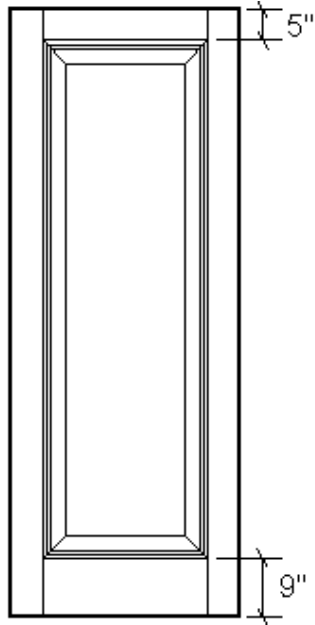


KA40-08

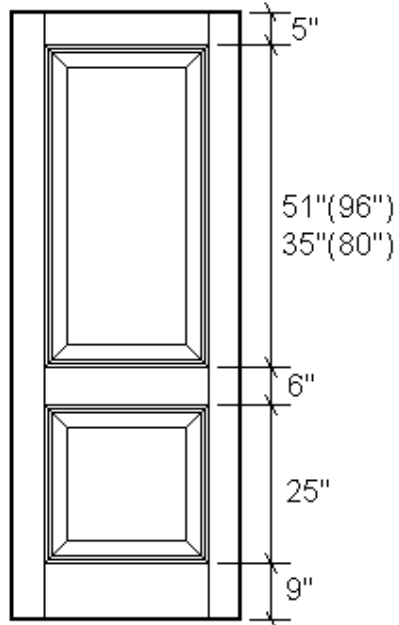
- 1 Panel or 2 Panels Design
- Square Top or Arch Top.
- Raised Panel or V-Grooved Plank.
- No Two Doors The Same
- Both Stile & Top Rail 5" Width
- Middle Rail 6" Width
- Bottom Rail 9" Width
- Solid Core With Thin Lumber Facing



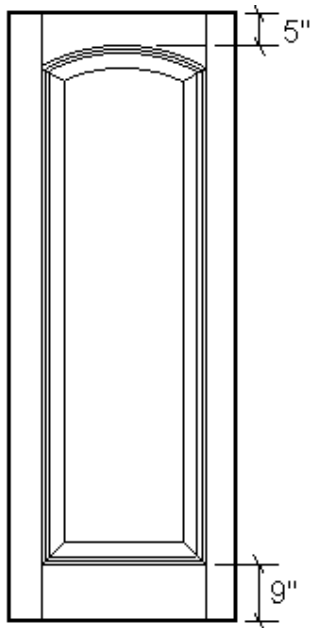
Section V-Grooved Plank



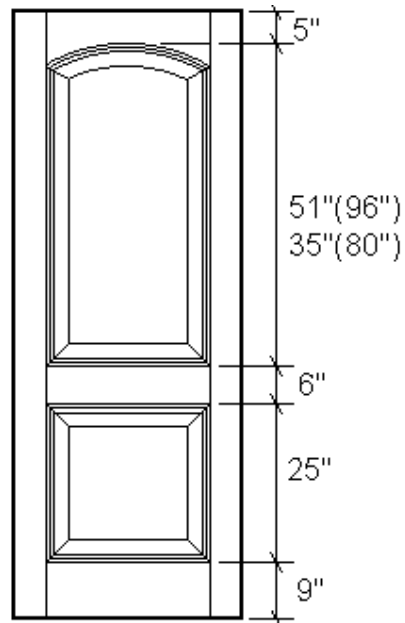
KA40-01



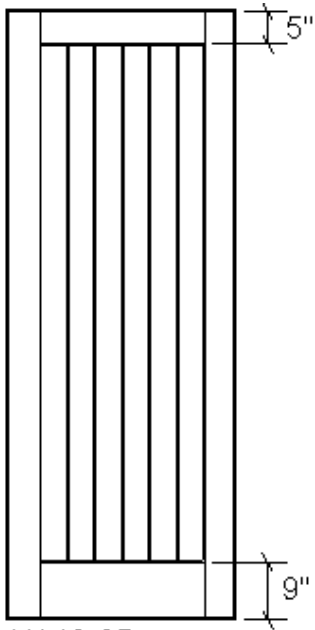
KA40-02



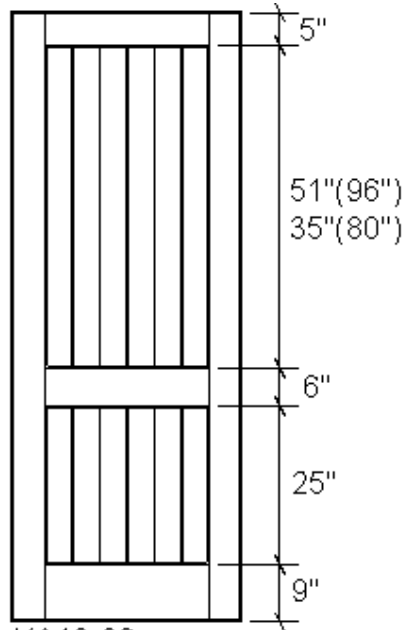
KA40-03



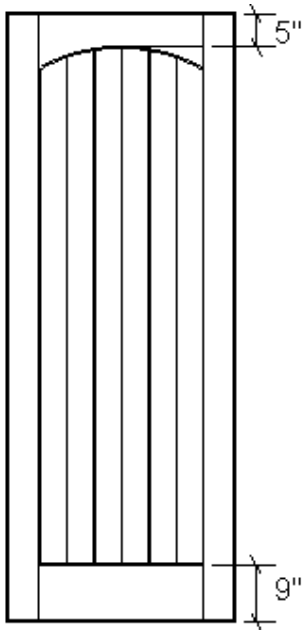
KA40-04



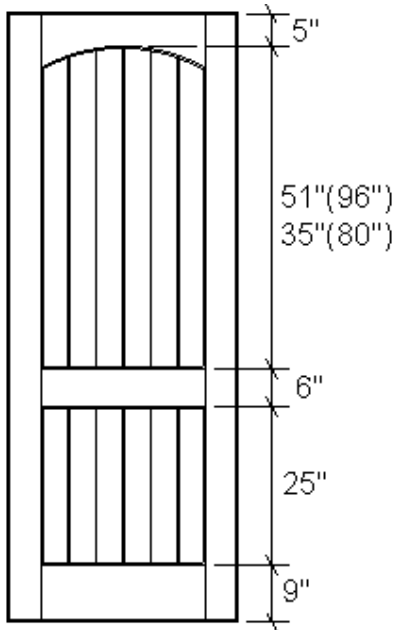
KA40-05



KA40-06

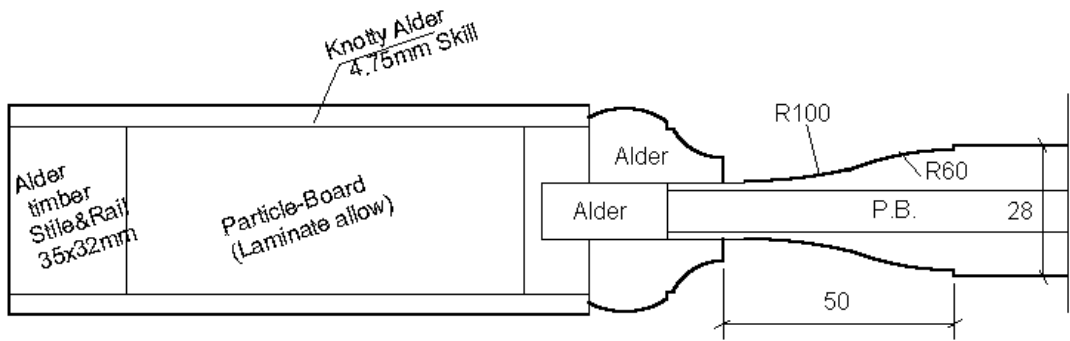


KA40-07

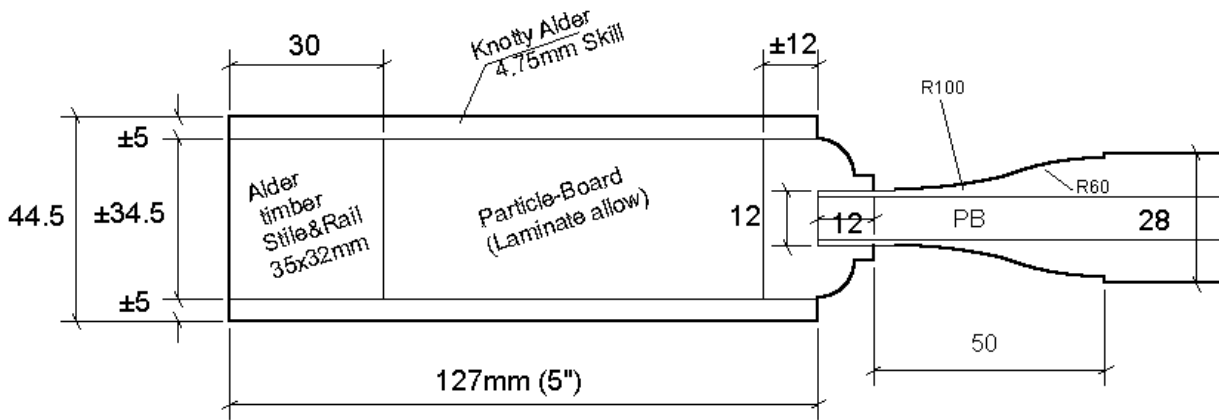


KA40-08

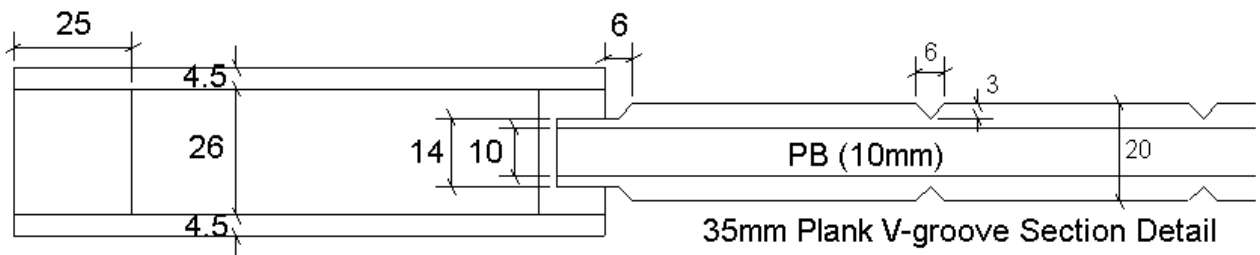
KNOTTY ALDER DOOR TECHNICAL CONSTRUCTION



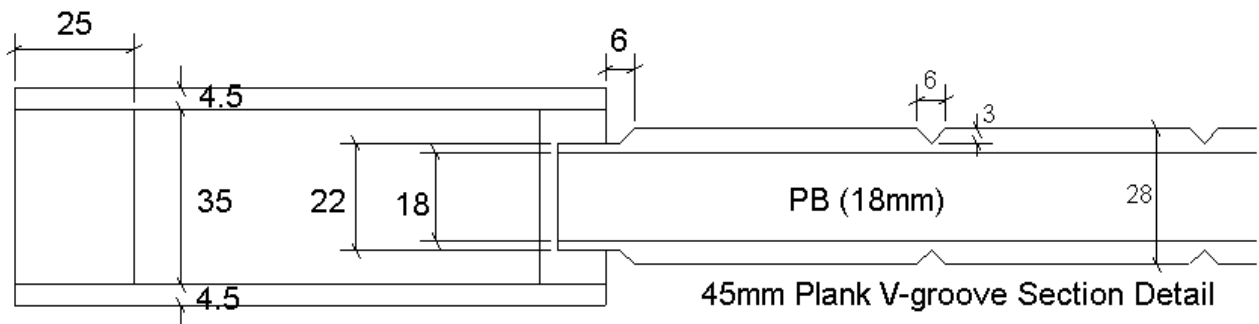
Raised Panel Section Detail (Moulding)



Raised Panel Section Detail (Ovolo)



35mm Plank V-groove Section Detail



45mm Plank V-groove Section Detail